

AMERICAN AVK RESILIENT SEATED DUCTILE IRON GATE VALVE
250 PSI, Tested to AWWA C509 (NRS)
NPT threaded ends - Valve sizes 1" through 3"

03/TTN
NPT

Use:

For water and neutral liquids to maximum 160°F.

Tests:

Hydraulic test to AWWA C509:

Shell Test: 500 PSI

Seat Test: 250 PSI

Operating Torque Test

Optional Materials:

Bonnet Bolts Stainless Steel - 316
 sealed with hot melt

Gland Bolts Stainless Steel - 316
 Hexagon Bolt

Stem Stainless Steel - 316

Standard Materials:

Body, Bonnet, Ductile iron ASTM A536
 Gland Flange, (Wrench Nut-painted black for
 Wrench Nut open left, red for open right)

Coating Electrostatically applied fusion-
 bonded epoxy-resin
 Meets or exceeds AWWA C550

Stem Standard: Stainless steel
 ASTM A582

Wedge Brass - encapsulated with
 EPDM-rubber compound

Bonnet Bolts Stainless Steel - 304
 sealed with hot melt

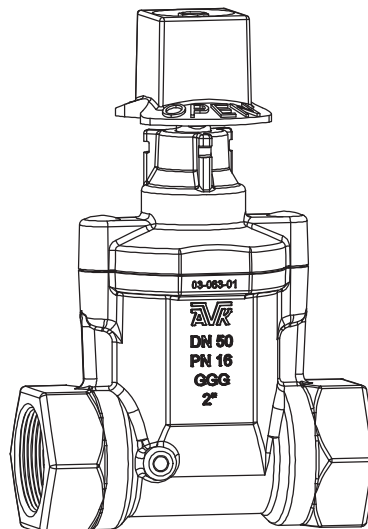
Gland Bolts Stainless Steel - 304
 Hexagon bolt

Bonnet Gasket, ASTM D2000 Buna "N" nitrile
 Wiper Ring, rubber
 O-Ring Stem Seals,
 Stem Collar

Stem Seal Polyamide

Approvals:

Certified to:
 NSF/ANSI 61
 NSF/ANSI 372

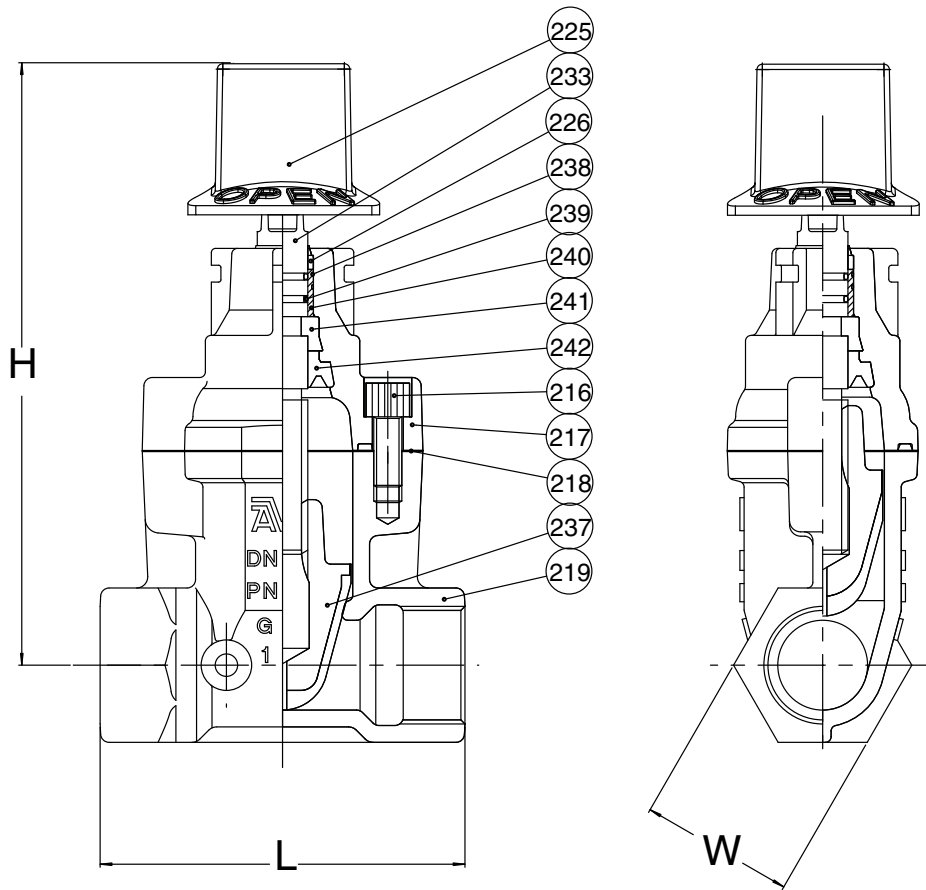


AMERICAN AVK RESILIENT SEATED DUCTILE IRON GATE VALVE
250 PSI, Tested to AWWA C509 (NRS)
NPT threaded ends - Valve sizes 1" through 3"

03/TTN
NPT

Component List:

- | | |
|--------------------|--------------------|
| 216. Bonnet Bolt | 237. Wedge |
| 217. Bonnet | 238. Outer O-rings |
| 218. Bonnet Gasket | 239. Inner O-rings |
| 219. Body | 240. Slide Bearing |
| 225. Wrench Nut | 241. Stem Collar |
| 226. Wiper Ring | 242. Stem Seal |
| 233. Stem | |



| Ref No. | Size | H | L | W | Turns to Open | Wt. Lbs. |
|------------|-------|--------|-------|-------|---------------|----------|
| 03-032-TTN | 1.00" | 8.63" | 4.50" | 1.81" | 7 | 8 |
| 03-040-TTN | 1.25" | 9.25" | 5.13" | 2.19" | 9 | 9 |
| 03-050-TTN | 1.50" | 9.83" | 6.00" | 2.38" | 11 | 14 |
| 03-063-TTN | 2.00" | 10.50" | 7.00" | 3.00" | 13 | 18 |
| 03-075-TTN | 2.50" | 12.25" | 6.69" | 3.54" | 11 | 25 |
| 03-090-TTN | 3.00" | 12.09" | 7.28" | 4.13" | 13 | 32 |

